

INSTRUCTION MANUAL

# Rustic Wood Cake Stand Plans

---

*The Arumbalos*

By Jonathan Warshaw





Source: SweetNCCollective

# SHOPPING LIST

---

## For the Smaller Cake Stand:

- 1 piece of 1x4 wood, 6 feet long
- 1-1/4" brad nails
- Wood glue
- Wood stain

## For the Larger Cake Stand:

- 1 piece of 1x4 wood, 6 feet long
- 1 piece of 1x4 wood, 8 feet long
- 1-1/4" brad nails
- Wood glue
- Wood stain

## Some Pointers when shopping for material

1. Select straight, knot-free wood for a smooth finish.
2. Choose a stain that complements your décor.
3. Ask for in-store assistance if unsure about materials.
4. Consider sustainably sourced wood for an eco-friendly option.
5. Buy a little extra wood to allow for mistakes.

# CUTTING DIMENSIONS

---

## Smaller Cake Stand

- 2 pieces of 1x4 cut to 9"
- 2 pieces of 1x4 cut to 10-1/2"
- 3 pieces of 1x4 cut to 10-1/2"

## Larger Cake Stand

- 2 pieces of 1x4 cut to 16"
- 2 pieces of 1x4 cut to 17-1/2"
- 5 pieces of 1x4 cut to 17-1/2"

## Cutting Guidance:

- Use a miter saw, circular saw, or jigsaw.
- Measure and mark cuts with a ruler and pencil.
- Practice cuts on scrap wood for confidence.
- Cut boards following marked lines; be precise.
- Follow safety guidelines, wear protective equipment.

# Tools

---



Tape Measure



Pencil



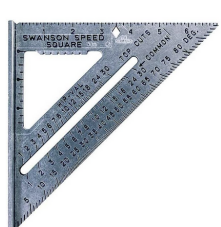
Safety Glasses



Ear Protection



Brad Nailer



Speed Square



Level



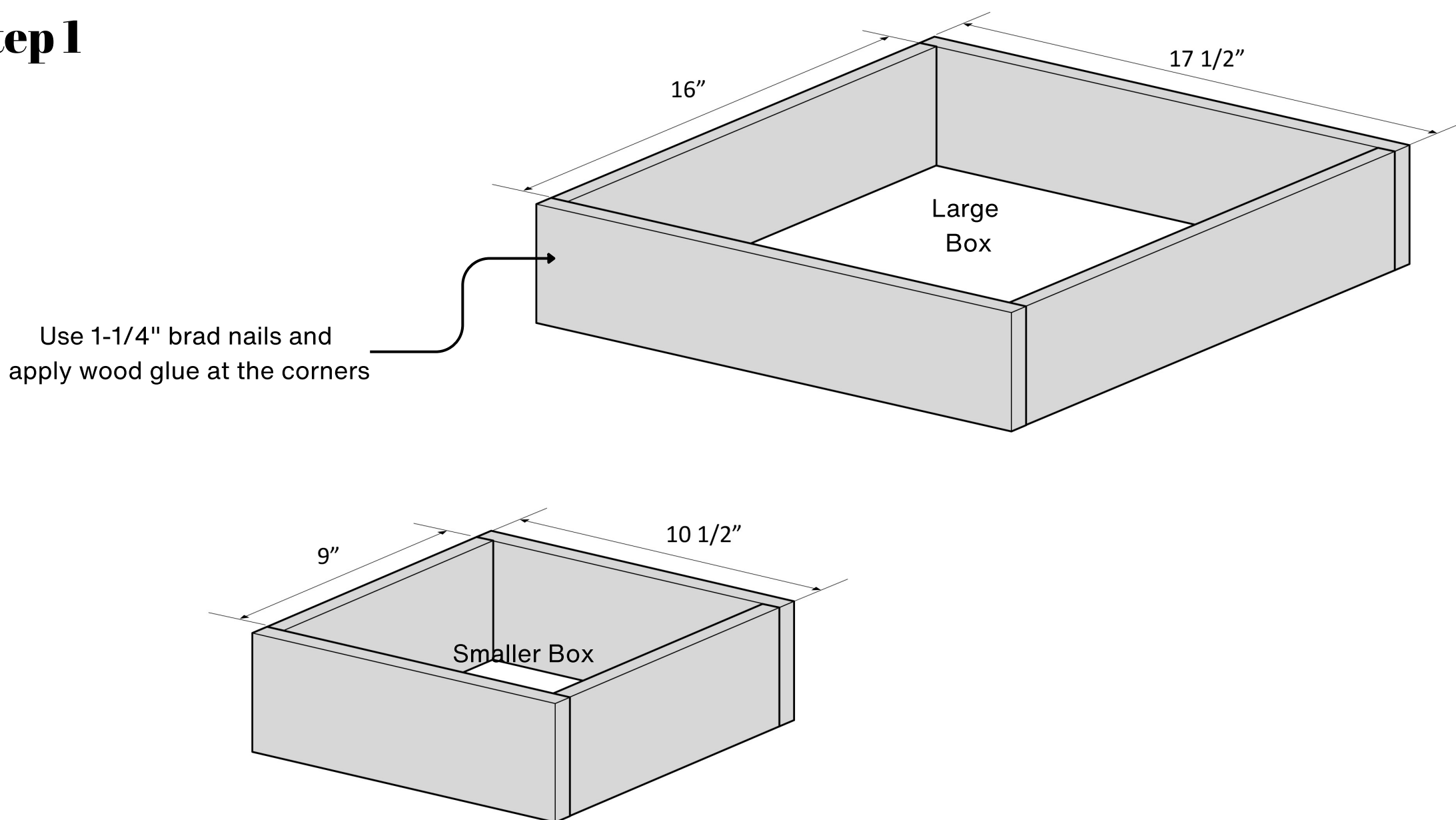
Sander



Circular Saw

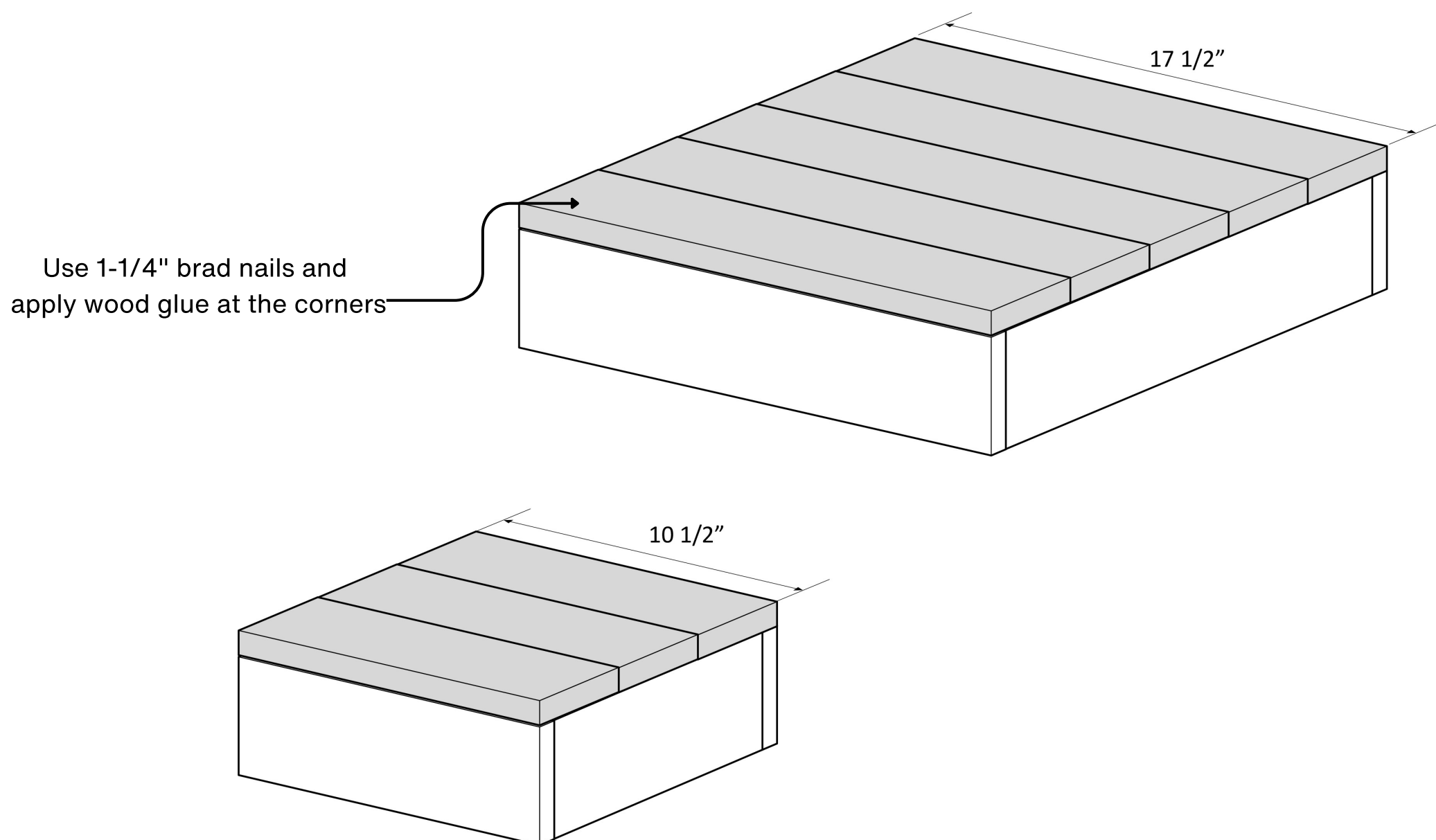
# INSTRUCTIONS

## Step 1



1. Start by preparing the bases for the cake stands. Utilize 1-1/4" brad nails along with wood glue for assembly. Apply glue at each corner and secure with three nails to ensure stability. Repeat the process for all corners.
2. Once the bases are constructed, it's crucial to adjust them to be perfectly square. Use a carpenter's square or measure the diagonals to confirm that they are equal. Adjust as necessary to achieve a precise right angle at each corner. Proper alignment at this stage will contribute to a polished and professional final appearance for your cake stands.

## Step 2

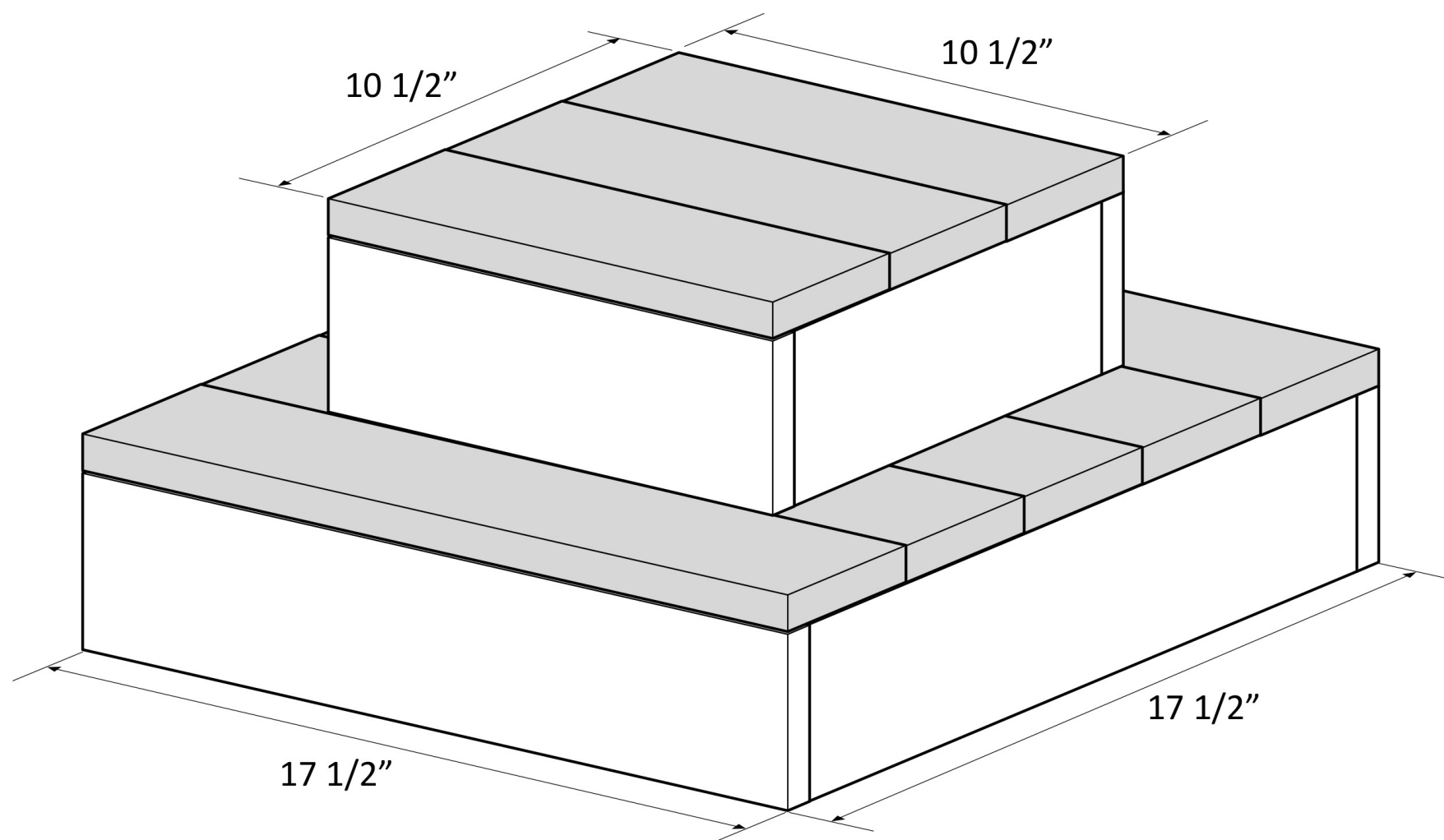


1. Begin by laying out the top decking boards on a flat surface, ensuring that they align properly with the design. Place them over the base to get an idea of how they will fit.
2. Position the decking boards on top of the previously constructed base. Make sure to align them correctly with the edges of the base, as this will be the visible surface of the cake stands.
3. Proceed to attach the top decking boards to the base using 1-1/4" brad nails. Apply wood glue at the points of attachment to enhance the bond between the decking boards and the base.
4. Nail around the entire perimeter of the top, making sure to distribute the nails evenly. This will provide a strong and uniform connection between the top and the base.
5. After attaching, inspect the entire perimeter to ensure that the boards are secured properly without any gaps or misalignment. Adjust as necessary while the glue is still wet.

# INSTRUCTIONS

---

## Step 3



### Preparation Instructions:

1. Start the finishing process by carefully examining the cake stands for any visible nail holes or imperfections that need to be addressed.
2. Fill any nail holes or cracks with wood filler, applying it evenly with a putty knife or similar tool. Be sure to follow the wood filler's instructions for proper application.
3. Allow the wood filler to dry completely according to the manufacturer's instructions. Patience is key here, as rushing this process can affect the final appearance.
4. Once dry, proceed to sand the entire surface of the cake stands well with 120 grit sandpaper. This will smooth out the wood filler and any rough areas, ensuring a clean surface for staining.
5. Dust off any remaining particles with a tack cloth or a soft brush to ensure a perfectly clean surface for staining.

### Finish Used:

1. Choose the desired wood stain for your cake stands, considering the type of wood used and the desired final color.
2. Using a foam applicator or a soft, lint-free cloth, apply the wood stain evenly across the surface of the cake stands.
3. Ensure that the stain is applied in the direction of the wood grain, as this promotes a more natural and aesthetically pleasing finish.
4. Wipe off any excess stain using a clean cloth, following the manufacturer's instructions for the best results. This helps to prevent any streaking or uneven coloration.
5. Allow the stain to dry completely, following the recommended drying time on the product's label. Consider applying a protective clear coat if desired, for additional durability and sheen.