

INSTRUCTION MANUAL

Outdoor Modern Chair

By Jonathan Warshaw





SHOPPING LIST

- 4 pieces of 2x4, each 8 feet long
- 4 pieces of 2x6, each 8 feet long
- 2-3/4" self-tapping deck screws
- 25" x 25" seat cushion (or adjust plans for a smaller size)
- Exterior Glue
- Semi Transparent Waterproofing Stain & Sealer

Shopping Tips:

- **Choose Straight Boards:** Check for warping or twisting.
- **Match Cushion Size:** Ensure sofa plan fits cushion size.
- **Select Weatherproof Materials:** Opt for exterior screws and glue.

Note: Prefinishing the boards before cutting is recommended.

CUTTING DIMENSIONS

- 4 pieces of 2x4 @ 22-1/4" for Legs
- 6 pieces of 2x6 @ 28-1/2" for Side Slats
- 2 pieces of 2x4 @ 31-1/2" for Arm Rests
- 4 pieces of 2x6 @ 25" for Front and Back Slats
- 2 pieces of 2x4 @ 25" for Front Top Slat and Back Top
- 2 pieces of 2x2 @ 25-1/2" for Inside Cleat
- 5 pieces of 2x4 @ 25" for Seat Slats (4 may suffice)

Carefully measure and cut each piece according to these dimensions, and you'll be well on your way to crafting your laundry basket stand! Make sure to use proper safety equipment while cutting.

CUTTING INSTRUCTIONS

The sofa is designed to fit a 25" x 25" seat cushion. Adjust plans if using different cushion sizes.

Cutting Tips:

- **Measure Twice, Cut Once:** Ensure accuracy before cutting.
- **Use Appropriate Tools:** Miter saws are best for straight cuts.
- **Support Your Material:** Prop up plywood for clean cuts.
- **Adjust for Cushion Size:** Modify plans if using a different cushion size.

TOOLS



Tape Measure



Pencil



Safety Glasses



Ear Protection



Drill Gun



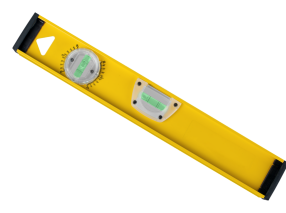
Speed Square



Circular Saw



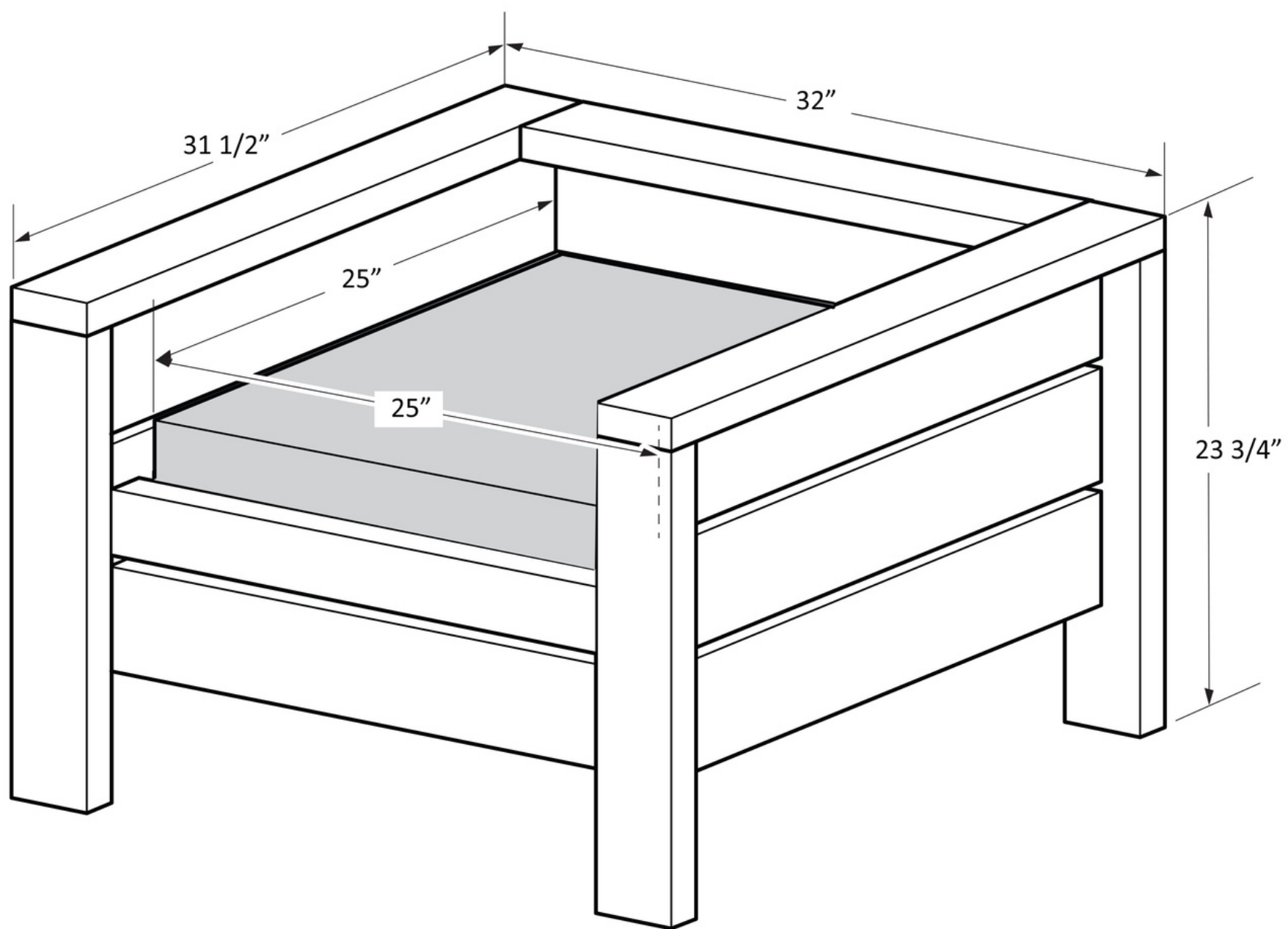
Sander



Level

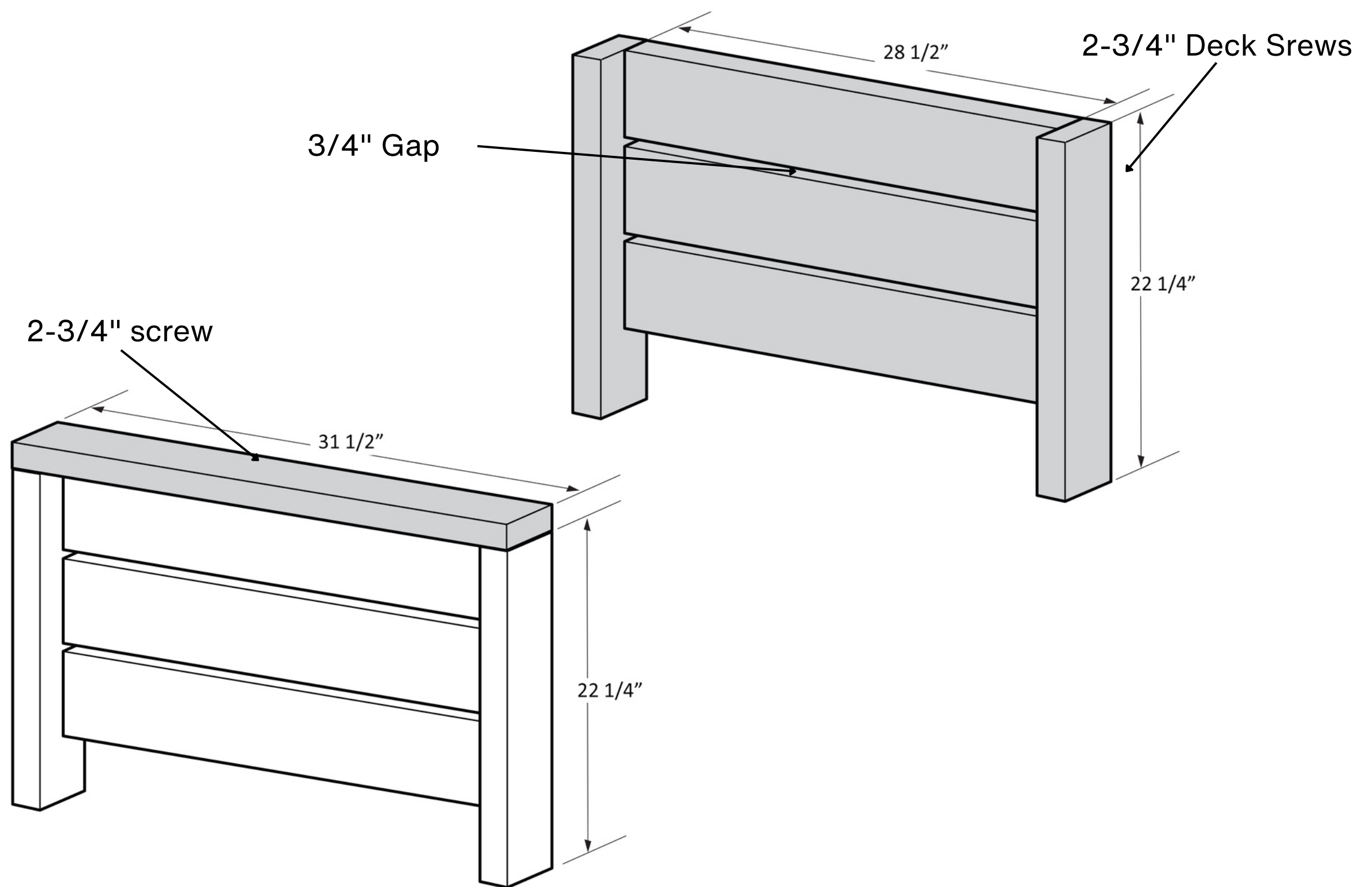


Drill Bit Set



INSTRUCTIONS

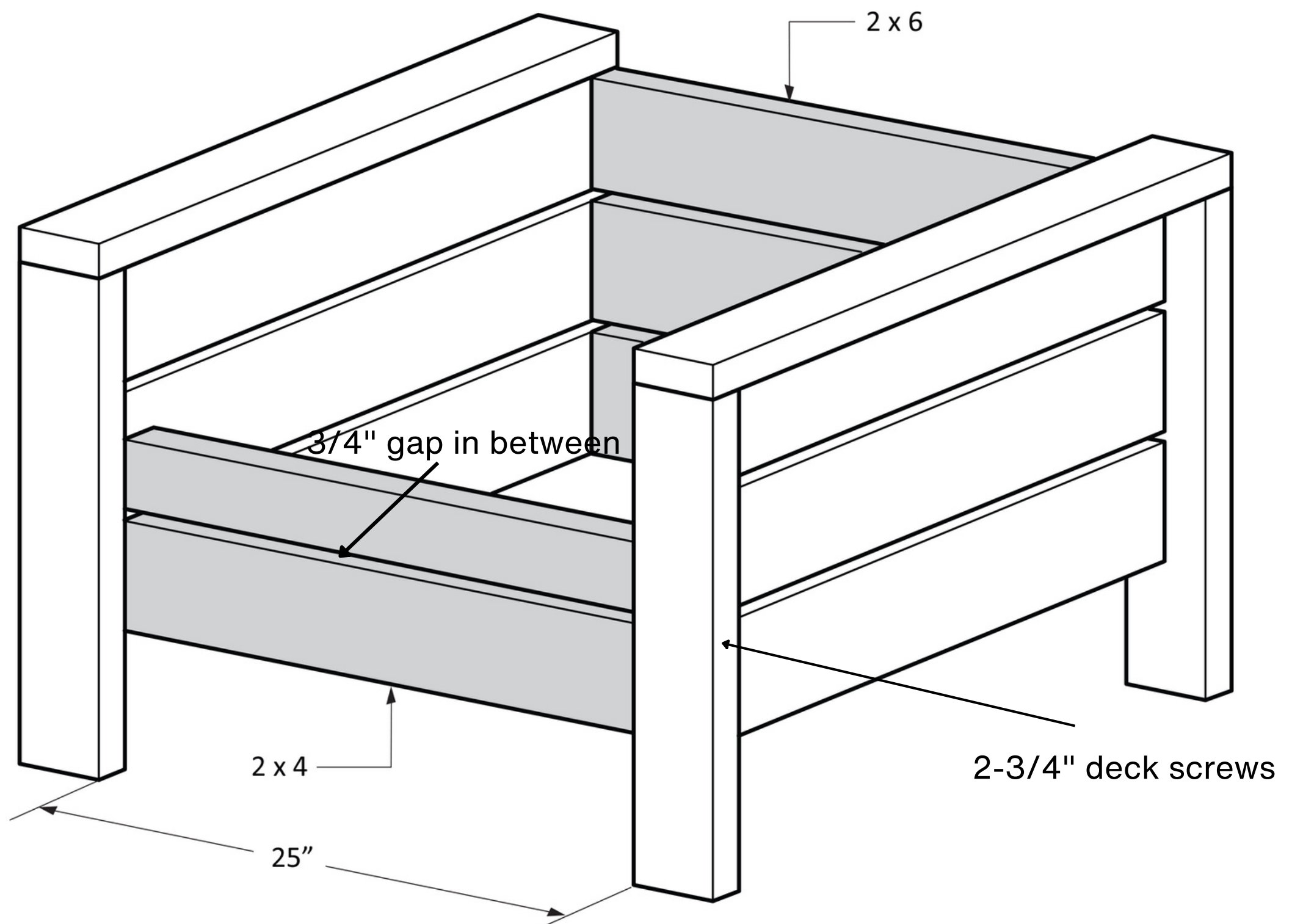
Step 1



- Gather 2-3/4" screws, exterior wood glue, legs, and 2x6 boards.
- Apply glue to the legs and attach to 2x6 boards.
- Ensure 3/4" spacing between the legs and the boards.
- Use two 2-3/4" screws per joint to secure them.
- Apply glue to the top area.
- Attach the top with 2-3/4" screws.

INSTRUCTIONS

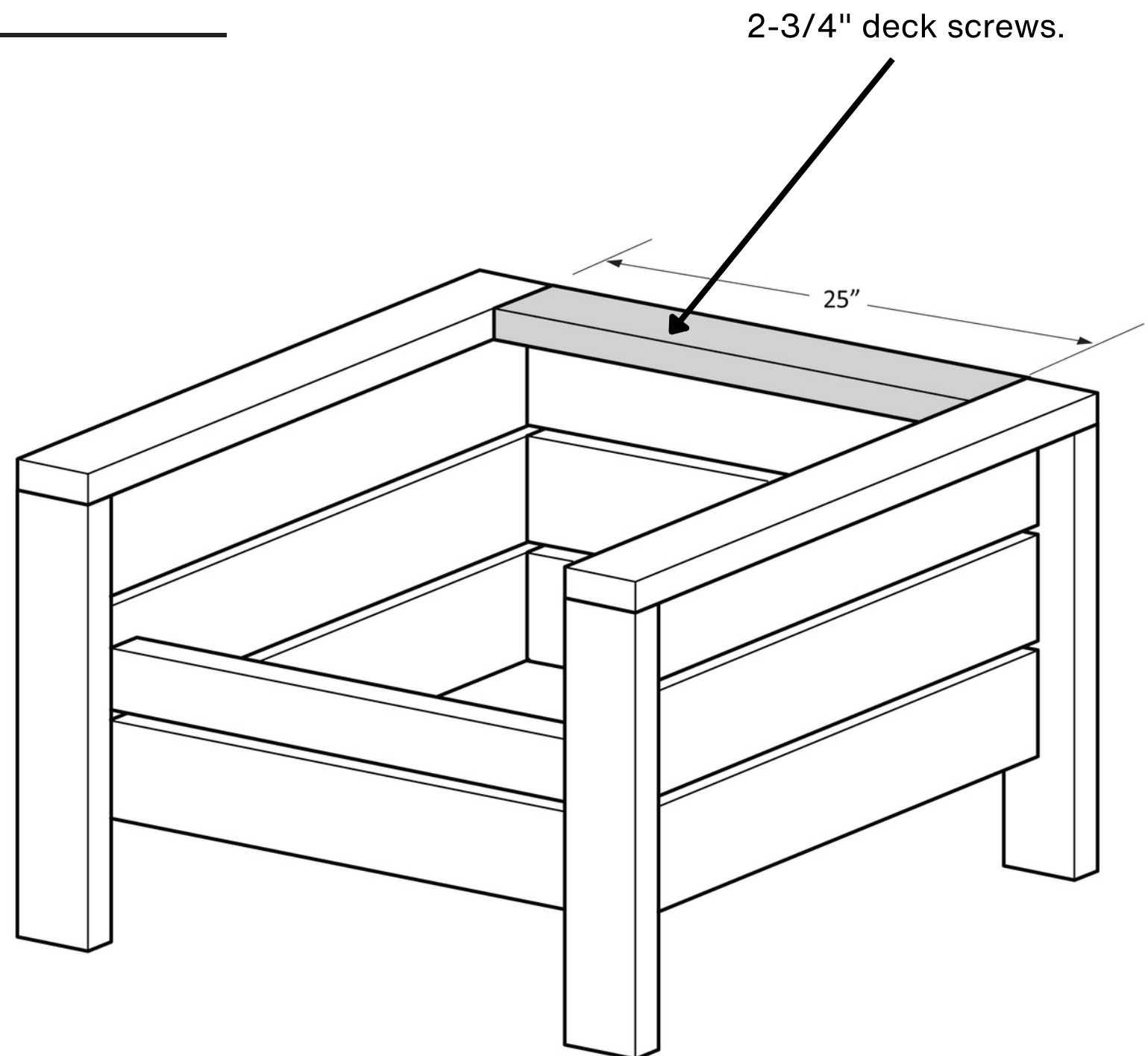
Step 2



1. Gather front and back slats, arms, and screws.
2. Align front slats with arms to form chair frame.
3. Secure front slats to arms using screws.
4. Repeat alignment and securing for back slats.
5. Check the frame for proper alignment.

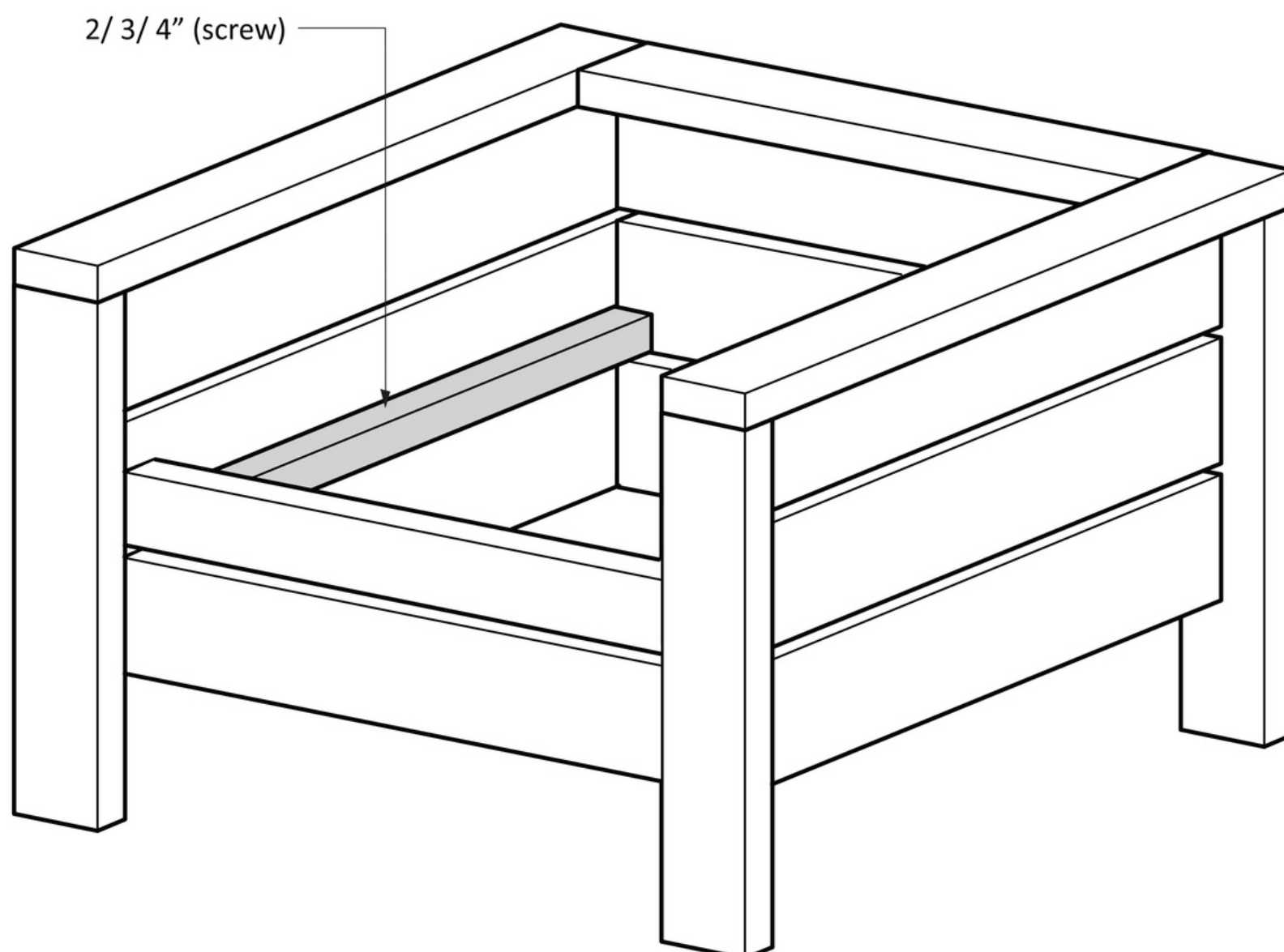
INSTRUCTIONS

Step 3



1. Locate back top piece and gather 2-3/4" deck screws and glue.
2. Apply glue to the contact surface of the back top piece.
3. Align back top piece with the chair frame.
4. Secure with 2-3/4" deck screws evenly.
5. Allow glue to set; ensure piece is properly aligned.

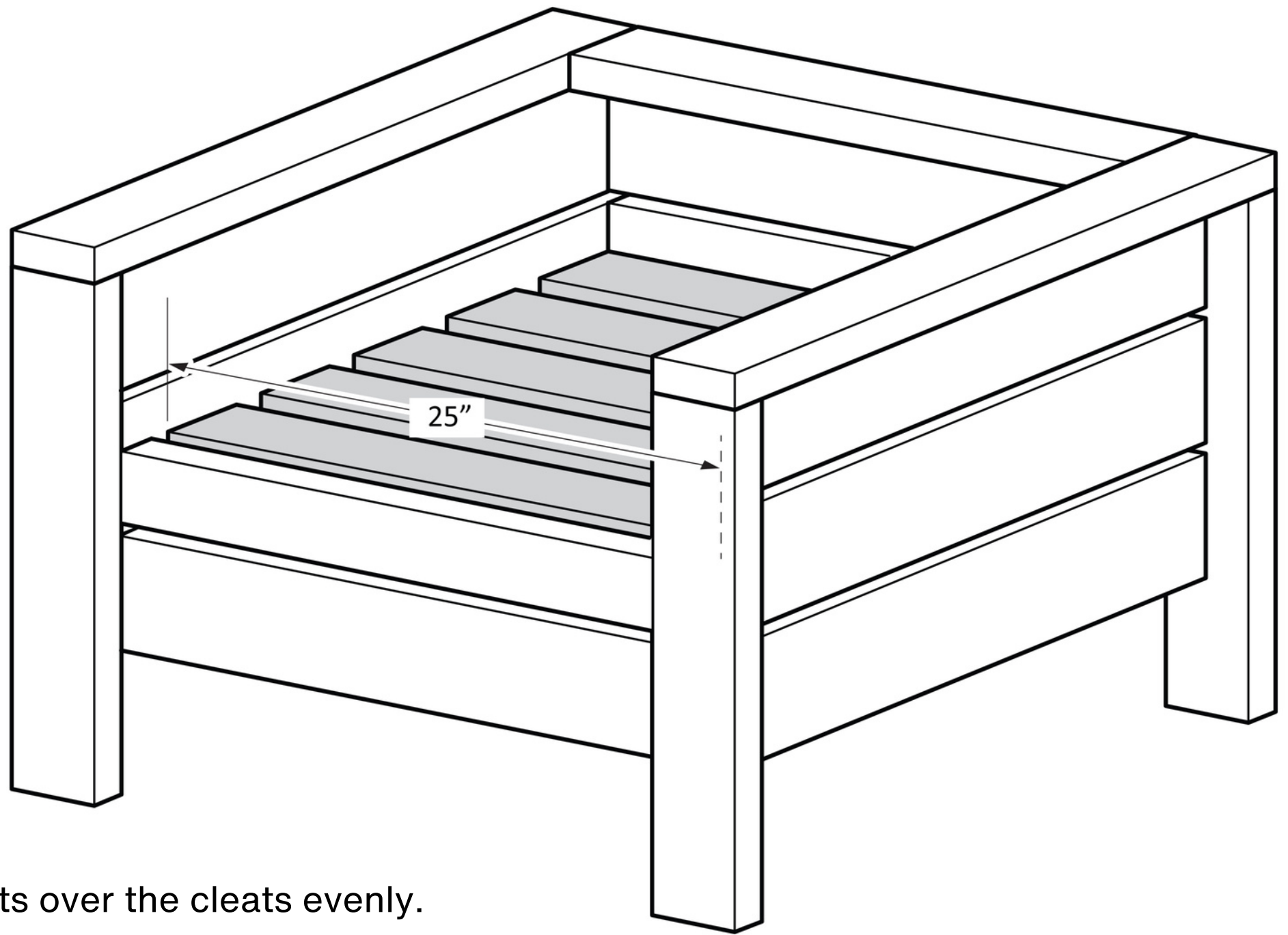
Step 4



1. Apply glue to the contact surface of the cleats.
2. Align the cleats on top of the 3rd side slat.
3. Fasten using 2-3/4" screws, ensuring secure attachment.
4. Allow the glue to dry, and verify the alignment.

INSTRUCTIONS

Step 5



1. Position the seat slats over the cleats evenly.
2. Ensure the slats align with the cleats below.
3. Apply a small amount of glue to secure placement.
4. Fasten the slats using screws for additional stability.
5. Check the alignment and wipe off any excess glue.

